

# AMTRON®

## Start E, Standard E, Basic E, Basic R



The MENNEKES AMTRON® Wallbox is a charging station for use in private and semi-public areas, such as private land, company car parks and depots.

- Charging acc. Mode 3 (IEC 61851)
- Vehicle connectors and charging socket acc. IEC 62196
  
- Integrated cable suspender



### Optional:

- Charging socket type 2
- Permanently connected charging cable with connector type 2 (Length 7,5m)
- Permanently connected charging cable with connector type 1 (Length 7,5m)
  
- Charging power up to 22 kW

Date: 05-2017 – V.4.0 Technical changes reserved

**CHARGE UP YOUR DAY!**

MENNEKES Elektrotechnik GmbH & Co. KG  
 Aloys-Mennekes-Straße 1 | D-57399 Kirchhundem  
 Tel. +49 (0) 27 23 / 41-1 | Fax +49 (0) 27 23 / 41-214  
 info@MENNEKES.de | www.MENNEKES.de

## PRODUCTFEATURES

- Status information through LED info bar
- Versions „Standard“ and „Basic“:  
Key switch for authorization
- Versions „Basic“:  
Calibrated digital energy meter (MID) readable from the outside
- Multi-function button
  - Stop function (adjustable parameters; deactivated by default)
  - Reset function
  - RCD test (only with integrated RCD)
  - Re-activating of RCD and CB (only with integrated RCD / CB)
- Unlocking function in case of power failure (only for devices with charging socket type 2)
- Enclosure made of AMELAN®
- Wired ready for connection

Versions



	Start E	Standard E	Basic E	Basic R
	Part number	Part number	Part number	Part number
Charging socket type 2 (version „T2“) (A)	3,7 kW 1350400	3,7 / 7,4 kW 1358400	3,7 / 7,4 kW 1353400	
	11 kW 1350401	11 / 22 kW 1358401	11 / 22 kW 1353401	11 kW 1353451
Charging socket type 2 with Shutter (version „T2S“) <i>only for FR, IT, ES, UK</i> (D)	3,7 kW 1340680		3,7 / 7,4 kW 1353600	3,7 / 7,4 kW 1343680
	11 kW 1340681	3,7 / 7,4 kW 1358600		11 kW 1343681
		11 / 22 kW 1358601	11 / 22 kW 1353601	
Permanently connected charging cable with connector type 2 (version „C2“) (B)	3,7 kW 1350200	7,4 kW 1358203	7,4 kW 1353203	
	22 kW 1350202	22 kW 1358202	22 kW 1353202	22 kW 1353252
Permanently connected charging cable with connector type 1 (version „C1“) (C)	3,7 kW 1350100	3,7 kW 1358100	3,7 kW 1353100	

Key switch	Key switch	Key switch
	Calibrated digital energy meter	Calibrated digital energy meter
		Personal protection (RCD)
LED status display Stop button	LED status display Reset button	LED status display Reset button
		LED status display Multi function button

Date: 05-2017 – V.4.0 Technical changes reserved

## TECHNICAL DATA

Charging power Mode 3	3,7 kW	7,4 kW	11 kW	22kW	
Rated voltage $U_n$	230 V AC $\pm 10\%$	230 V AC $\pm 10\%$	400 V AC $\pm 10\%$	400 V AC $\pm 10\%$	
Rated frequency $f_n$	50 Hz				
Rated current $I_{nA}$	16 A	32 A	16 A	32 A	
Charging current Mode 3 $I_{nC}$	16 A, 1 ph	32 A, 1 ph	16 A, 3 ph	32 A, 3 ph	
Degree of protection	IP 44 (permanently attached charging cable or charging socket type 2 with Shutter) IP 54 (charging socket type 2 with hinged lid)				
Protection class	I				
Dimensions	474,8 mm x 259,2 mm x 220,1 mm (H x B x T)				
Weight	5...8,5 kg (je nach Ausführung)				
Rated impulse withstand voltage $U_{imp}$	4 kV				
Rated short circuit current $I_{cc}$	10 kA				
Rated diversity factor RDF	1				
Pollution degree	3				
Earthing system	TN/TT				
Condition of installation	Stationary equipment				
Usage	ACSEV				
Mounting method	wall mounting, surface mounting				
EMC classification	A+B				
Resistance to mechanical impact (IK)	IK08				
Rated insulation voltage $U_i$	500 V				
Maximum cable cross-sections at the terminals	Rigid	3 x 6 mm <sup>2</sup>	3 x 10 mm <sup>2</sup>	5 x 6 mm <sup>2</sup>	5 x 10 mm <sup>2</sup>
	Flexible	3 x 4 mm <sup>2</sup>	3 x 6 mm <sup>2</sup>	5 x 4 mm <sup>2</sup>	5 x 6 mm <sup>2</sup>

## ENVIRONMENTAL CONDITIONS

Ambient air temperature	-25 ... +40 °C
Average temperature within 24 hours	< 35 °C
Storage temperature	-25 ... +40 °C
Altitude	max. 2.000 m above sea level
Relative humidity	max. 95 % (non-condensing)

### PERSONAL AND CIRCUIT PROTECTION (RCD / CB)

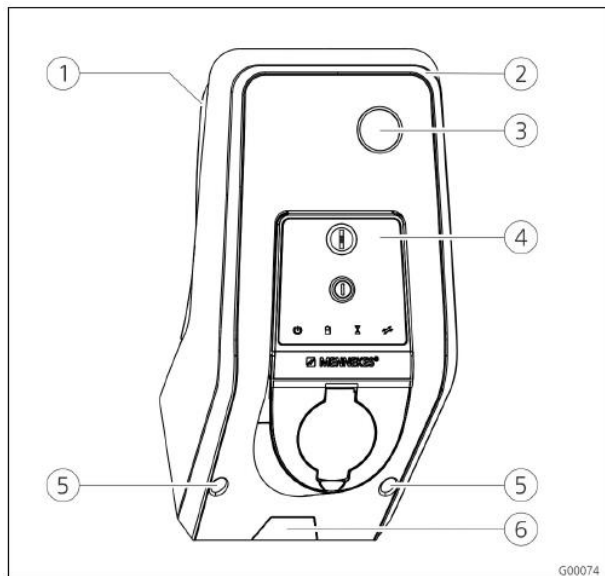
Variante	RCCB type B	CB
Start E, Standard E, Basic E (3,7 kW / 7,4 kW, 1 ph) (11 kW / 22 kW, 3 ph)	-	-
Basic R (3,7 kW / 7,4 kW, 1 ph)	X	-
Basic R (11 kW / 22 kW, 3 ph)	X	-

Note the following when connecting the charging station:

- Each charging station must be connected using a separate residual current circuit breaker (RCCB) (see IEC 60364-7-722)
- Charging stations with integrated residual current circuit breaker are delivered with RCCB type B.
- No other circuits may be connected to this residual current circuit breaker.
- For versions Start E, Standard E and Basic E, the residual current circuit breaker (RCCB) must be provided on site.
- For versions Start E, Standard E, Basic E and Basic R the circuit breaker (CB) must be provided on site.

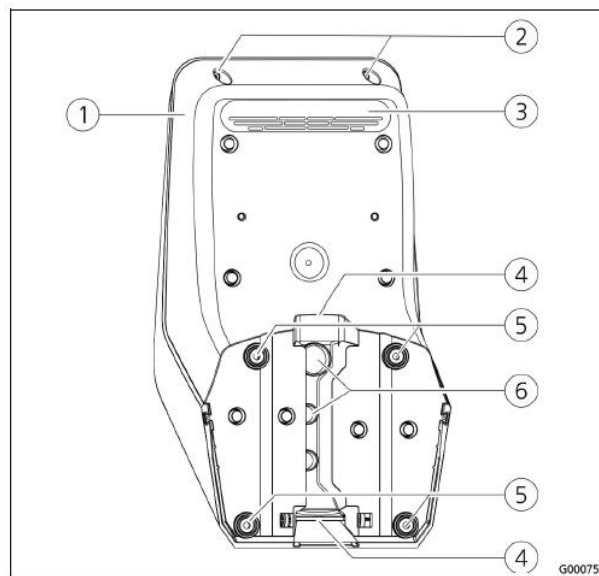
### ASSEMBLY

Front view (example)



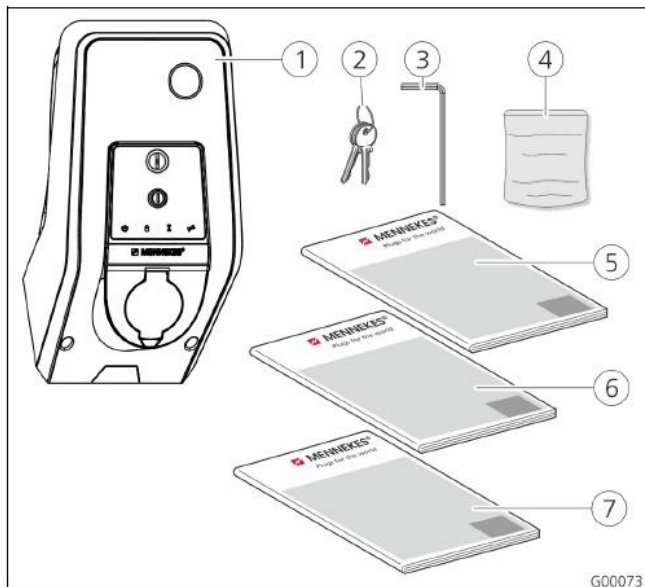
- ① Rear enclosure part
  - ② Front enclosure part
  - ③ Window for counter<sup>1)</sup>
  - ④ Front panel
  - ⑤ Fastening screws for front enclosure part
  - ⑥ Predetermined breaking point for supply line / cable duct from below
- 1) Only for versions Basic

Rear view (example)



- ① Rear enclosure part
- ② Fastening screws for front enclosure part
- ③ Air outlet
- ④ Opening for cable duct
- ⑤ Fastening holes
- ⑥ Cable glands

**DELIVERY CONTENTS**

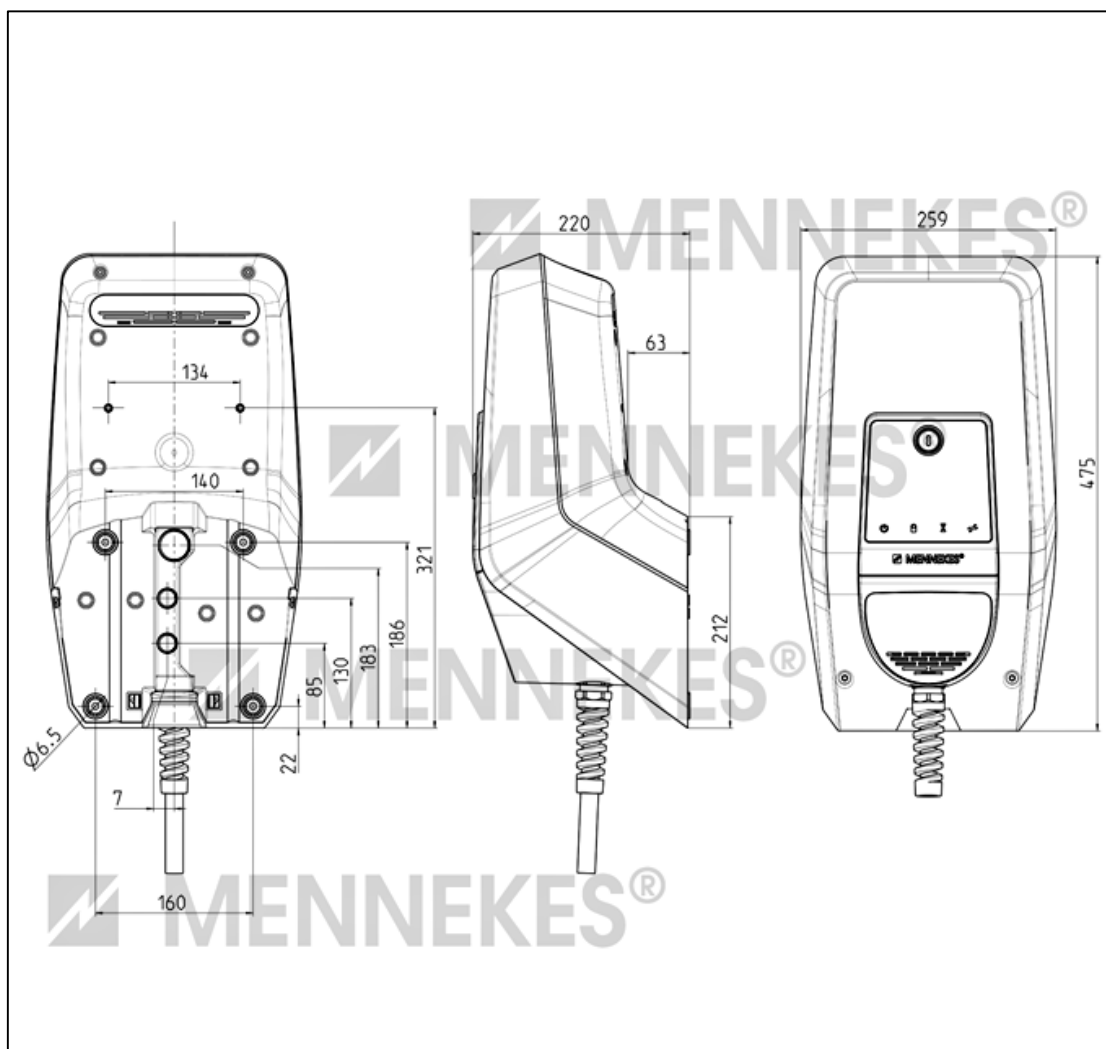


- ① Charging station
- ② Key set for authorization <sup>1)</sup>
- ③ Allen key
- ④ Bag with installation hardware (screws, dowels, plugs)
- ⑤ Operation manual
- ⑥ Installation manual
- ⑦ Quick guide

1) Only for versions Basic (E/R) and Standard E.

G00073

**DIMENSIONS**





## CHARGE UP YOUR DAY!



Thousands of MENNEKES charging points are in daily use in Europe, delighting users in their diverse life situations.

As an innovative leader we offer a broad portfolio of charging solutions for the private and public applications



Charge up your day with MENNEKES, the specialist for  
**Intelligent eMobility charging solutions.**

### **MENNEKES**

Elektrotechnik GmbH & Co. KG  
Industrial plugs and sockets

Aloys-Mennekes-Str. 1  
57399 Kirchhundem  
GERMANY

Tel.: +49(0)2723/41-1  
Fax: +49(0)2723/41-2 14  
E-Mail: [info@MENNEKES.de](mailto:info@MENNEKES.de)

**[WWW.MENNEKES.DE](http://WWW.MENNEKES.DE)**  
**[WWW.CHARGEUPYOURDAY.DE](http://WWW.CHARGEUPYOURDAY.DE)**